

MS POR Rotative Pendant



Our company has been producing user-friendly operating room pendants which are suitable for the standards and which keep human health at the forefront for years without any problems.

MS POR Rotative Pendant systems are designed to meet the requirements of having the pendant either on right side or left side of the operating table. It has flexibility of positioning of pendant head by simply rotating the pendant arms.

MS POR Rotative Pendant can be configured as a single or dual arm system and the arms can be standard duty or heavy duty arms. Loads up to 1000 kg. are available depending on the arm models.

The robust arm construction provides a large load carrying capability and that, together with the various of arm and head permutations, allows many items of medical equipment to be fixed on the pendant such as ventilators, monitors, infusion pumps.

So that very effective and unoccupied working area will be provided for the staff. The high quality arms incorporate maintenance free bearings with low frictional resistance.

To move the arms the pneumatic brake on each joint is released and with guidance simply glides in to the new position. Electromagnetic brakes are also available instead of pneumatic brakes which needs no maintenance. Even with the highest loads the Services Heads stay in an accurately and straight condition.

• PENDANT ARMS

There are different length and payload Pendant arms. You can choose from the table given below. According to EN 60601-1 Standard for maximum safety.

• COLOUR

Colour MS POR Rotative Pendants are painted as standard either RAL 9002 or RAL 9010.

• ELECTRICAL SERVICES

All Pendant types can be supplied with European Schuko, UK, US or other types of electrical sockets. The pendants are prewired and all electrical components are tested according to EN ISO 11197, EN 60601-1.

There is an electrical connection point inside the Head. The Head may be delivered to site with extra low voltage services or only with provision for these. The number of low and extra low voltage services depends upon the length of the Head.

• EXTRA LOW VOLTAGE SERVICES

Available with phone, data and nurse call sockets.

• MEDICAL GAS SERVICES

All Pendant types can be supplied with different standard gas outlets (BS, DIN, AFNOR, US) manufactured according to EN ISO 9170-1 or 9170-2. MS POR Pendants are pre-piped and gas leak tested when delivered with gas outlets and CE marked.

If requested, the pendant may be delivered without gas outlets but provision for them, in that case CE mark should be done by others.

For the BS and DIN standard gas outlets a special gas grommet is used.

MS POR ROTATIVE PENDANT

Characteristics

The *pendant arm* has been designed with user requirements in mind: concealed fasteners provide a smooth surface for easy cleaning. The *pendant arm* can be easily adapted to your specific corporate design. Numerous customization options are available, from using your corporate colour scheme on the end caps, to printing of your company logo on your *MediBoom*.

The *E-Brake*, the innovative electromagnetic passive brake system of the *pendant arm* keeps the system safely positioned even during a power outage. The *E-Brake* is also designed to allow manual repositioning at any time. The new, innovative design of the *MediBoom* is impressive. Fasteners have been concealed from the exterior and interior restricting points have been eliminated. Cables can be easily installed through large openings.

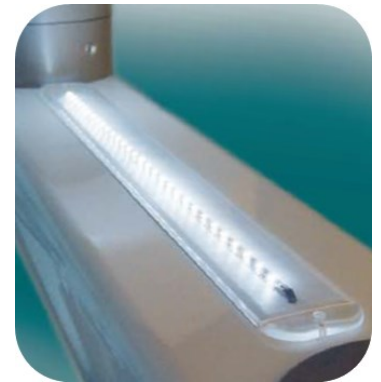
The Plug-and-Brake system is a particularly handy feature of the pendant arm. It allows for a speedier connection of the control panel to the Service Head by means of quick-action couplings. Large openings at the bearing points facilitate quick and easy cable installation.

BRAKE GUIDE

The LED colour lighting system of the *BrakeGuide* virtually eliminates the risk of faulty operation. The *BrakeGuide* provides visual feedback and shows where the brake was released. With this feature, the *BrakeGuide* offers a significant advantage over other systems and improves the safety and user friendliness, especially in a dark OR environment.

TECHNICAL SPECIFICATIONS

Model	: MSPOR ROTATIVE Pendant
Load Max.	: Single arm up to 640 kg Dual arm up to 300 kg
Break Type	: Electromagnetic passive brake
System	: Rayed voltage: AC 100-240V, Rated Power 200W
Reted voltage SurroundLED	: DC 12V
Reted Voltage Brake Guide	: DC 24V
Net Weight	: Extention Arm 800; 29 kg : Extention Arm 1000/800; 56 kg : Arm: RAL 9002, RAL 9010,
Colour Code	: Ceiling Tube and Drop Tube; RAL 9022 Other colours are on request.
Mark of Conformity	: CE



VARIABLE LIGHTING

Dimmable LED lights serve as an indirect light source in the OR and as an orientation aid for medical staff in the ICU. The *SurroundLED C* feature in the upper extension arm of the *MediBoom* provides comfortable lighting on the ceiling. Upon request, the bottom of the service head can be equipped with the *SurroundLED F* to light the floor area.

LED WARNING SAFE BRAKE SYSTEM

The electromagnetic brake system called *E-Brake* is a standard feature of the *MediBoom*. The previously required compressed-gas/air (Nitrogen or air) connection is no longer needed due to the electrical actuation of the *E-Brake*.

This reduces infrastructure cost and ongoing maintenance issues with conventional air brakes. With normal operation there are no costs for replacement parts due to the maintenance-free design of this brake system.

• PLANNING AND DRAWING:

MedSystem provides free support in the planning of specific site requirements with his skilled and well trained staff and draws a detailed and proper plan according to the requirements and specifications of the user in Autocad drawing. These drawings serves you for technical clearance with your customer.

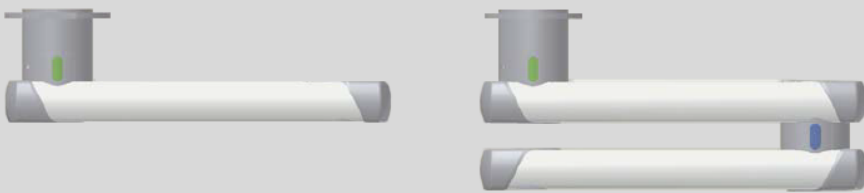
• SAFETY AND TESTS

MedSystem Pendant Units are manufactured according to the international quality and safety standards. All Bedhead Units already comply with the new European Safety standart EN ISO 11197.

MS POR ROTATIVE PENDANT Characteristics



Pendant ARM Payloads



Lenght	Load. Capacity	Lenght	Load. Capacity
600 mm	640 kg	600/600 mm	300 kg
800 mm	470 kg	600/800 mm	260 kg
1000 mm	370 kg	800/800 mm	220 kg
1200 mm	300 kg	800/1000 mm	190 kg
		1000/1000 mm	170 kg
		1200/1100 mm	150 kg

MediLift is equipped with the most innovative bearing system for ceiling-mounted pendant systems. Loads up to 640 kg can be moved with ease. The integrated bearings have optimised running characteristics which allow the smooth repositioning of the system when the brake is released.

Modern ORs have to meet more sophisticated and complex requirements to allow high performance. For this reason, the extension arm and the bearings of *MediLift* offer ample capacity for all current and future supply lines

- **PENDANT SERVICE HEADS:**

Pendant service heads can be supplied with the original ONDAL or MedSystem design. Gas and Electrical Services is usually the part where a stand equipped with rails suitable for hanging accessories. It can also be designed with drawers under the table. Pendant heads can be manufactured tailor-made according to the expectations and wishes of our valued customers.

- **ACCESSORIES:**

Accessories required by the health personnel should be considered. The selected Pendant should be developed with accessories. In general, medical rack mountable accessories are more useful. We have different alternatives for accessories.

MedSystem MS POR Rotative Operating Room Pendant arms are manufactured in a solid structure. Rotating mechanisms are also used in high quality bearings. In this way, rotations can be made smoothly without difficulty.

The rotation angle is 340 degrees. The use of the two arms is more efficient in terms of positioning the Pendant head and the gas services on it.

- **MS POR Multimovement Handle**

You can make your own Pendant by choosing from the arm models in the table next to it. The arms have a wide duct structure to carry gas hoses and electrical cables. Solo (Single) or Tandem (Dual) Pendant adaptations are possible. Depending on the load to be carried, different arms are available.

- **NIST**

NIST connections can also be supplied with the hose if desired. This ensures that there is no cross-linking during assembly.



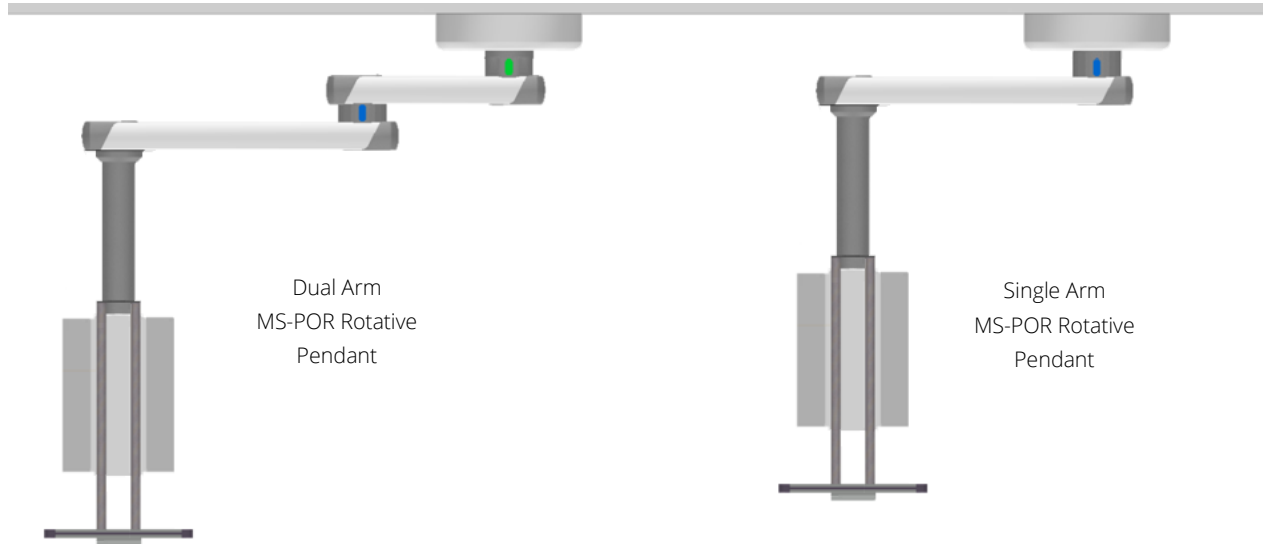
**MS POR Rotative
Pendant Head Example**

Electrical and gas inputs of the type you want can be designed on the head.

Tables and drawers can also be added to your expectations.

MS-POR ROTATIVE PENDANT

Characteristics



Dual Arm
MS-POR Rotative
Pendant

Single Arm
MS-POR Rotative
Pendant

OPTIMIZATION AND EASY INSTALLATION

The innovative design of the MS POR Rotative Pendant is impressive. The connecting elements are concealed from the outside and the internal restraint points are eliminated. The cables can be easily installed via large openings. The brake system is a particularly useful feature of the MS POR Rotative Pendant. Allows quick connection of the control panel to the Service Head with quick-action couplings. Large openings at the bearing points facilitate quick and easy wiring.

MEDICAL GAS OUTLETS

According to your requests BS, DIN, AFNOR and other international standards Medical Gas Outlets can be used on the unit. Installation of your gas outlets, which you supply in the direction of your demands, can also be done in the unit.



ELECTRIC SOCKETS

According to your requests and requests of national or international standards, various type of electric sockets can be used in MS POR Rotative Pendant Units. In Europe and Turkey, Type C (CEE 7/16) standard and other international standards such as Type B (Nema 5-15), Type A (Nema 1-15), Type E (CEE 7/4), Type F (CE 7/4), Type G (BS 1363) can also be used. The installation of the electrical outlets that you supply in the direction of your demands can also be fixed to the MS POR Rotative Pendant Units.



EASY MAINTENANCE

The E-Brake electromagnetic brake system is a standard feature of the MS POR Rotative Pendant. The required compressed gas / air (Nitrogen or air) connection is not required due to the electrical operation of the E-Brake. This reduces infrastructure costs and ongoing maintenance problems with conventional air brakes. In normal operation, there is no cost for spare parts due to the maintenance-free design of this brake system. The pendant is easy to maintain and practical.

COMPLIANCE WITH STANDARDS

Thanks to the ISO 9001 and ISO 13485 Quality Systems that MedSystem applies, we aim to provide a better service to our valued customers in every way and we are making product development studies accordingly. All Pendant Units are already in compliance with the new European Safety standard EN ISO 11197. MedSystem products are 'CE' certified under the Medical Device Directive 93 / 42 / EEC.

MEDSYSTEM QUALITY CERTIFICATE



Friendly, Flexible and Functional Solutions by MedSystem

MedSystem Medical and Technical Equipment
Gas Systems Industry and Trade Limited Company

Web : www.medsystem.com.tr
E-Mail : info@medsystem.com.tr

Şerifali Mahallesi, Hattat Sokak No:21
Ümraniye—İSTANBUL / TÜRKİYE

Phone : + 90 216 415 56 60 (pbx)
Fax : + 90 216 415 32 24

www.medsystem.com.tr

MedSystem reserves the right to make changes without notice in design, specifications and models. The only warranty MedSystem makes is the Express written warranty extended on the sale or rental of its products.
© 2019 MedSystem, ALL RIGHTS RESERVED